


# JP Hobby Specification of E-Retract

## ER-120 features

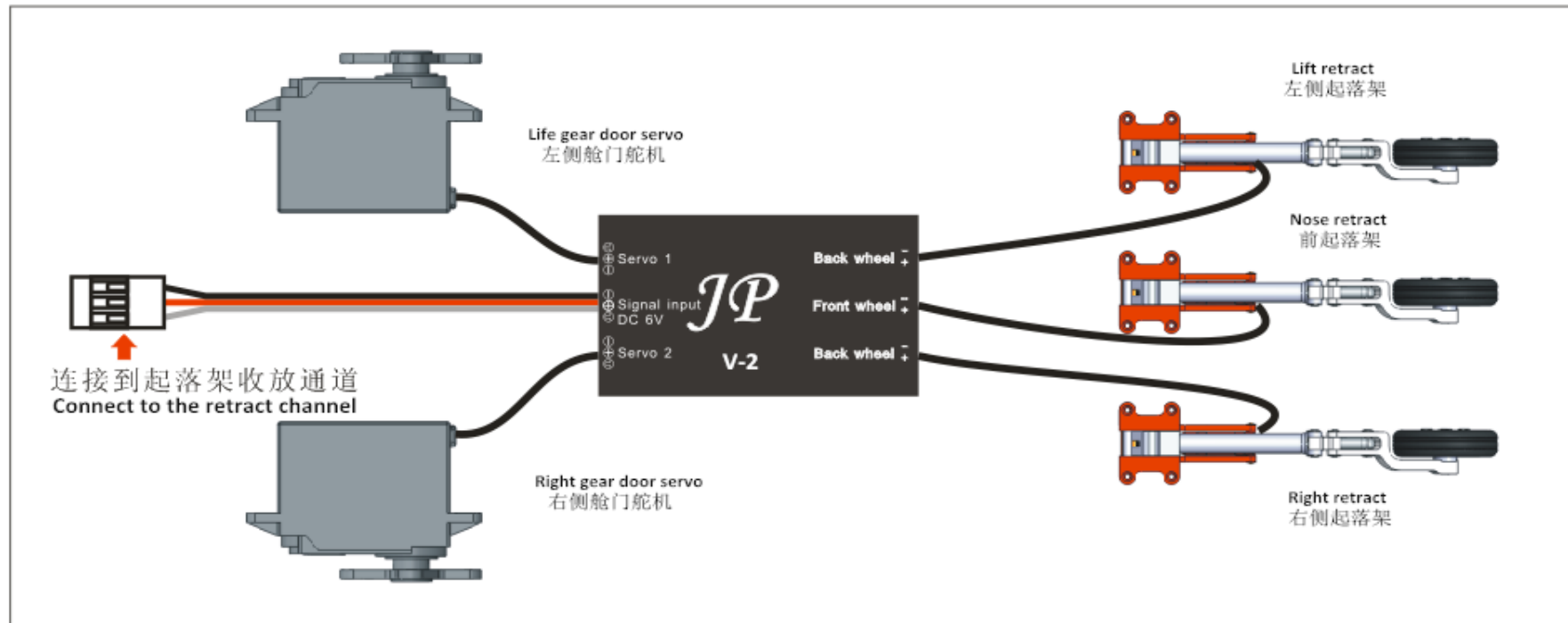
Size Retract	Picture	Dimension	Retraction angle (degree)	Trunnion hole	Weight one retract	Max plane weight	Speed	Guaranteed stall torque
ER-120		27mm*80mm*22mm	90	10mm,12mm	78.82g	10kg	About 5sec	15kgxcm

JP

[www.jingpinhm.com](http://www.jingpinhm.com)

## Installation:

Installation is simple. The Retracts have a standard clamping, and its installation is similar to any standard retract. The Retracts are supplied with 700mm long cable which is directly connected to the control unit. If the cable is not long enough, it can be extended with the correct polarity. Is advisable prolong just the necessary length to avoid voltage drops.



JP

[www.jingpinhm.com](http://www.jingpinhm.com)

*JP*

[www.jingpinhm.com](http://www.jingpinhm.com)

## Operation:

The operation of retracts, is the best quality of electric retracts. It works very smooth with little noise.

Retracts must be operated always through JP control units. Never operate the retracts with direct battery or with other.

## ER-120

### Specification:

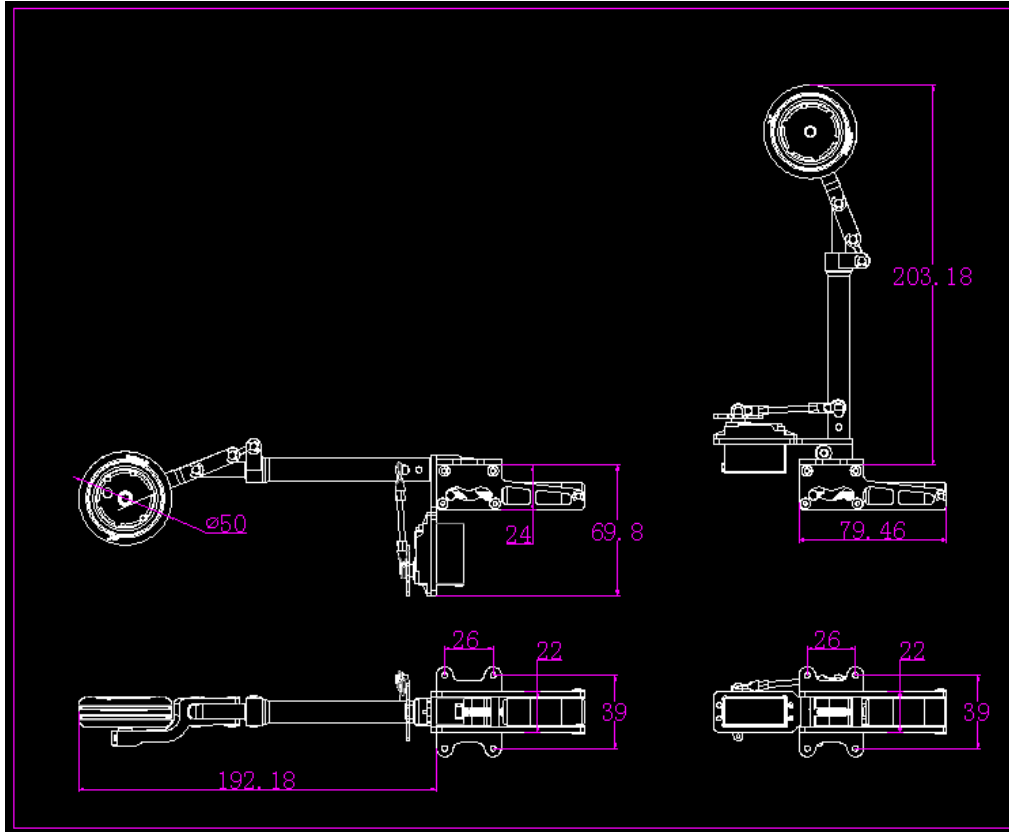
1. **Working Voltage:** 5V-6V
2. **Output Torque:** 15kg.cm
3. **Weight:** 78.8g
4. **Unfolding Speed:** 5V/5.2s . 6V/4.3S
5. **Drive Model:** Gear+Worm
6. **Spindle outer diameter:**  $\Phi$ 10mm -  $\Phi$  12mm
7. **Opening angle:** 90°
8. **Material&Technique:** Aluminum alloy,CNC,Anodic oxidation
9. **Operating method:** Remote controller control descending and ascending(external control board with current protection)
10. **Size:** L80\*W22\*H27mm
11. **Applicable Multirotors:** Weight under 10kg

JP

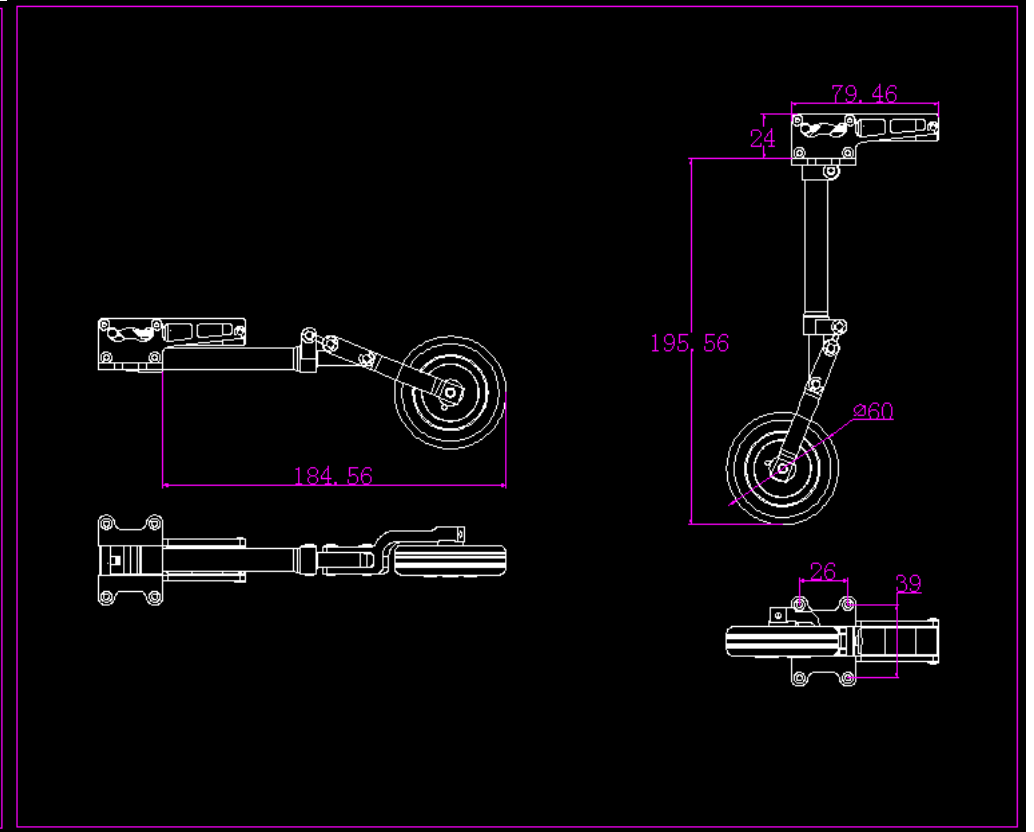
[www.jingpinhm.com](http://www.jingpinhm.com)

# Dimensional drawing (12mm Ole Strut)

## Nose Wheel(mm)

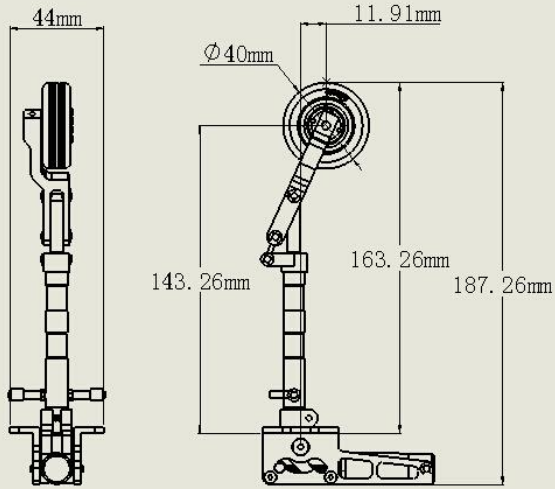


## Main Wheel(mm)

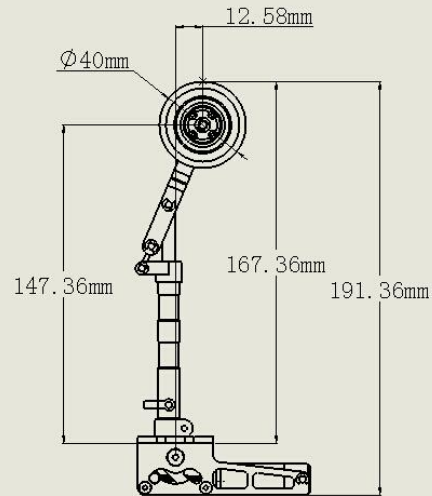


# Dimensional drawing(10mm Ole Strut)

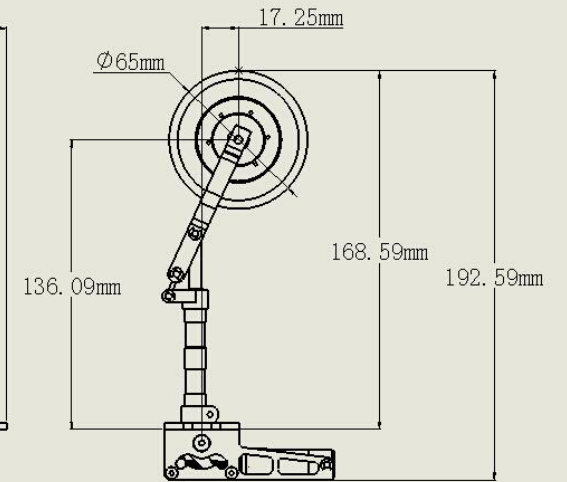
## Nose Wheel(mm)



## Double Nose Wheel(mm)



## Main Wheel(mm)



JP

[www.jingpinhm.com](http://www.jingpinhm.com)